



integrated
piping systems

LC107 Liquid Cooling Interlocking Connection Valve

Valve Technology

new

our data centre benefits

1. maximum uptime, zero compromise

Secure connections ensure continuous data centre operations

2. fast installation & service ability

connect-twist-lock mechanism for quick connection and disconnection

3. built-in operational safety

Dual interlock ensures correct handling and prevents unintended operation

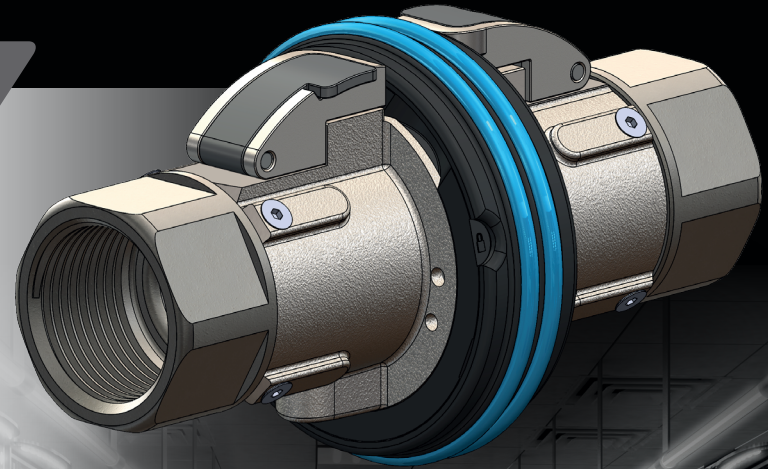
4. optimised system performance

Full bore flow for optimal cooling efficiency

5. flexible integration

colour coded collars

6. range of connection options



At Aalberts integrated piping systems, we help data centres keep their cooling systems running smoothly and reliably. Our Interlocking Connection Valve makes installation fast and simple, while reducing the risk of leaks or mistakes. It uses an easy *connect-twist-lock* action, with built-in safety features to make sure the connection is secure and gives full bore flow. The result is less downtime, safer operation, and greater confidence for data centre teams managing critical cooling systems.

features & specifications

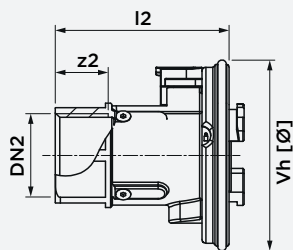
features

- 100% safe twist & lock connectors
- full bore flow
- dual interlock safety:
 - handles can only turn when valves are twisted and connected
 - handles can NOT turn in the disconnected position
- visual flow identification by coloured rings: blue (flow) & orange (return flow)
- valve end connections can be equipped with female thread, hose connections and flanged connections

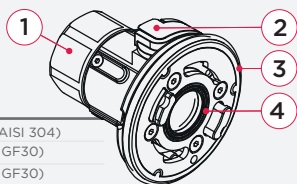
specifications

- max. operating pressure 10 bar (150 psi)
- min. burst pressure 20 bar (300 psi)
- max. vacuum pressure -1 bar (-14.5 psi)
- NRV less than 3.5 cc

dimensions & material specs



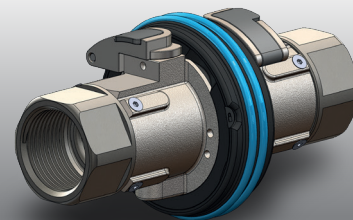
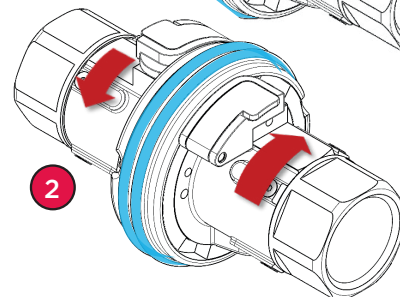
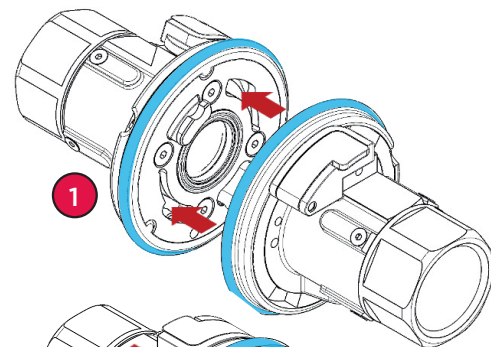
dimensions	1" mØdel
DN2	1" [BSP]
z2	21 mm
l2	69.15 mm
Vh	75.91 mm
weight	-520 gram



component	material
1 valve body	stainless steel (AISI 304)
2 locking handles	polymer (PA66 GF30)
3 colour coded collar	polymer (PA66 GF30)
4 seal	elastomer (EPDM)

installation

- 1 mate connectors
- 2 twist & connect
- 3 lock & open valve



A integrated piping systems
aalberts

In mission critical environments, uptime is not negotiable. Every connection plays a role in securing it.

